

**QUICK
& EASY**
TO CONNECT

STRIP. CLICK. CONNECT

CONNECTORS

GRAY BUTT SPLICE

2 CLOSED END

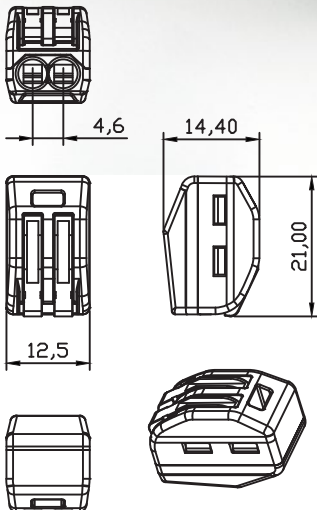


No screwdriver needed to connect your wires.

The orange levers act as clamps to keep the wires firmly locked in place for dependable connections.

Connects up to two wires.

Ideal for looping light fittings and splitting off circuits.



Technical Data

Connection points:	2
Colour:	Gray with orange levers
Rated voltage:	400 V
Rated surge voltage:	4000 V
Rated current:	32A
Main wiring:	From 12 AWG down to 28 AWG
Size:	12.5 x 14.4 x 21 mm
Rated Temperature:	85 °C
Material:	Nylon plastic, copper and 304 stainless steel

Instructions

1. Strip wire to 9 -10 mm.
2. Move orange lever to the open position (in 90° angle).
3. Push in wire and move lever back into closed position.
4. The lever will clamp the wire firmly in place preventing it from coming loose.
5. The levers can be opened and closed multiple times.



2014/35/EU

For use of

Solid wire:	0.08 mm ² – 4.0 mm ²
Stranded wire:	0.08 mm – 2.5 mm ²
Strip Length:	9 – 10 mm



www.sealandbond.com

4 Jackson Street, Plettenberg Bay
info@sealandbond.com

seal and bond